

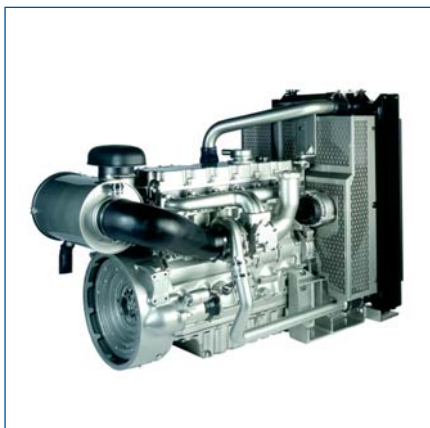


1100 Series

1106C-E66TAG3

Diesel Engine - ElectropaK

143.9 kW @ 1500 rev/min
163.3 kW @ 1800 rev/min



Power to Meet your Needs

Hitting the key power nodes required by the market, the 1106C-E66TAG3 ElectropaK has been developed to provide a clean and cost effective power solution.

State of the Art Design

The 1106C-E66TAG3 incorporates the latest common-rail fuel system technologies with a closely optimised air-management system which is overseen by the latest generation of electronic engine control. This allows the 1106C ElectropaK range to deliver high power density, low exhaust emissions with the minimum of heat rejection and excellent fuel economy.

Worldwide Power Solution

The 1106C has been designed to be worldwide fuel tolerant, including kerosene, jet aviation fuel and 5% biofuel (RME). Options are available to meet local market needs.

World-class Product Support

At Perkins we are constantly researching, developing and investing in our products and services. Total worldwide support is provided through a network of 4,000 distributors and service outlets, providing access to over 50,000 parts and exchange units 24 hours a day, 365 days a year. This support is enhanced by TIPSS (The Integrated Parts and Service System). TIPSS enables customers to electronically specify and order parts as well as service 1106C engines with online guides and service tools.

Lower Operating Costs

Service intervals are set at 500 hours as standard and Perkins provides comprehensive warranty cover for two years (up to 3,000 hours), with three years on major engine components. A low usage warranty package is also available.

Long-term Power Solution

The 1106C-E66TAG ElectropaK range has been designed to fully comply with EU Stage II emissions regulations, providing an emissions compliant power solution for the future.

The 1106C-E66TAG ElectropaKs are the latest addition to Perkins 1100 Series Electric Power line-up. Offering improved power density from a compact package, these ElectropaK's build on Perkins reputation within the Power Generation Industry.

These ultra clean engines are assembled on a new high technology production line. Frequent computerised checks during the production process ensure high build quality is maintained throughout.

Hitting the key power nodes required by the market, the 1106C-E66TAG product line-up consists of three models offering a power solution for both Prime and Standby applications, in 50 Hz and 60 Hz territories.

Certified against the requirements of EU2007 legislation for non-road mobile machinery, powered by constant speed engines (EU97/68/EC Stage II).

Engine speed (rev/min)	Type of Operation	Typical generator output (net)		Engine power			
		kVA	kWe	Gross		Net	
				kWm	bhp	kWm	bhp
1500	Prime	150.0	120.0	133.9	179.6	129.5	173.7
	Standby (maximum)	165.0	132.0	148.4	199.0	143.9	193.0
1800	Prime	169.0	135.0	154.4	207.0	146.4	196.3
	Standby (maximum)	188.0	150.0	171.3	229.8	163.3	219.0

The above ratings represent the engine performance capabilities to conditions specified in ISO 8528/5. Derating may be required for conditions outside the test conditions; consult Perkins Engines Company Limited. Generator powers are typical and are based on typical alternator efficiencies and a power factor. Fuel specification: Consult Perkins Engines Company Limited (various fuel specifications are available). Lubricating oil: multi-grade oil conforming to API-CH4/C14 must be used.

Rating Definitions

Prime Power: Power available at variable load in lieu of a main power network. Overload of 10% is permitted for 1 hour in every 12 hours' operation. Standby (maximum): Power available at variable load in the event of a main power network failure. No overload is permitted.

1100 Series

1106C-E66TAG3

Standard ElectropaK Specification

Air inlet

- Mounted air filter and turbocharger

Fuel system

- Fuel filter

Lubrication system

- Flat-bottomed isolated aluminium sump
- Oil filter

Cooling system

- 24" belt-driven pusher fan and guards
- Radiator (incorporating air-to-air charge cooler + fuel cooler)
- Water pump

Electrical equipment

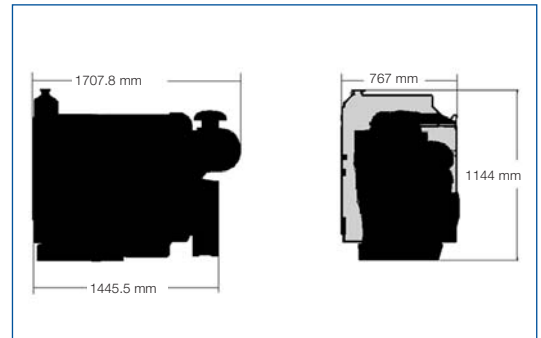
- 12 volt starter motor
- 12 volt, 100 amp alternator with DC output
- Glow plugs
- Electronic governing (conforms to Class G3 ISO 8528-5)

Flywheel and housing

- High inertia flywheel
- SAE2 flywheel housing

Literature

- User's Handbook



General Data

Number of cylinders	6 in-line
Bore and stroke	105 mm x 127 mm
Displacement	6.6 litres
Aspiration	Turbocharged air-to-air charge cooled
Cycle	4 stroke
Combustion system	Direct injection
Compression ratio	16.2:1
Rotation	Anti-clockwise viewed on flywheel
Cooling system	Water
Dimensions	Length 1707.8 mm* Width 767 mm Height 1144 mm
Dry weight	709 kg
Wet weight	752 kg

* Length includes air cleaner
Final weight and dimensions will depend on completed specification

Fuel Consumption				
Engine Speed	1500 rpm		1800 rpm	
	g/kWh	l/hr	g/kWh	l/hr
Standby	TBC	TBC	215.7	41.5
Prime power	TBC	TBC	219.3	37.8
At 75% of prime power	TBC	TBC	232.0	30.0
At 50% of prime power	TBC	TBC	244.5	21.0
At 25% of prime power	TBC	TBC	258.5	11.1



Perkins Engines Company Limited

Peterborough PE1 5NA
United Kingdom
Telephone +44 (0)1733 583000
Fax +44 (0)1733 582240
www.perkins.com

All information in this document is substantially correct at time of printing and may be altered subsequently
Publication No.1862/10/06 Produced in England ©2006 Perkins Engines Company Limited

Distributed by