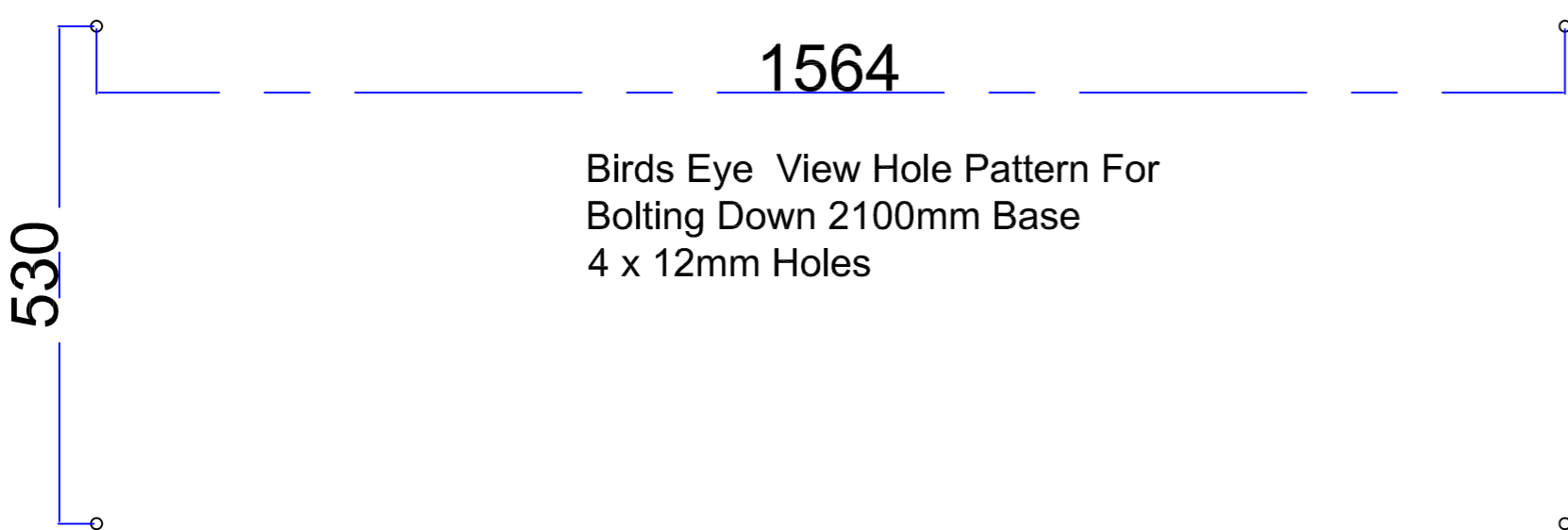
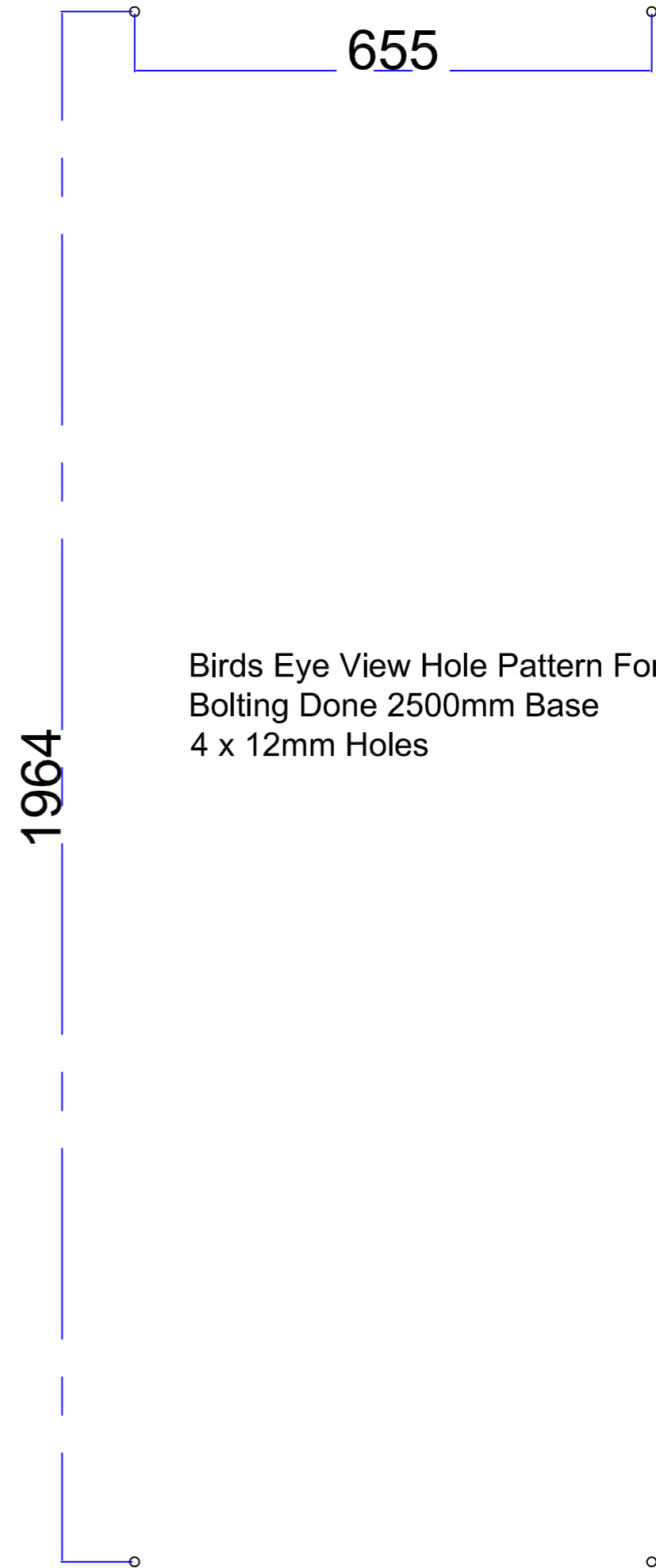


Birds Eye View Hole Pattern For
Bolting Down 1600mm Base
4 x 12mm Holes



Birds Eye View Hole Pattern For
Bolting Down 2100mm Base
4 x 12mm Holes



Birds Eye View Hole Pattern For
Bolting Done 2500mm Base
4 x 12mm Holes

Notes:

Sizes are for the hole positions of the feet.
Holes are 12mm Dia, 6mm Radius on all size of tank.
Set overhangs these holes and suffiecient space should be left around the base.
Consult your local construction engineer for recomendations for concrete bases
to suit your local conditions.