

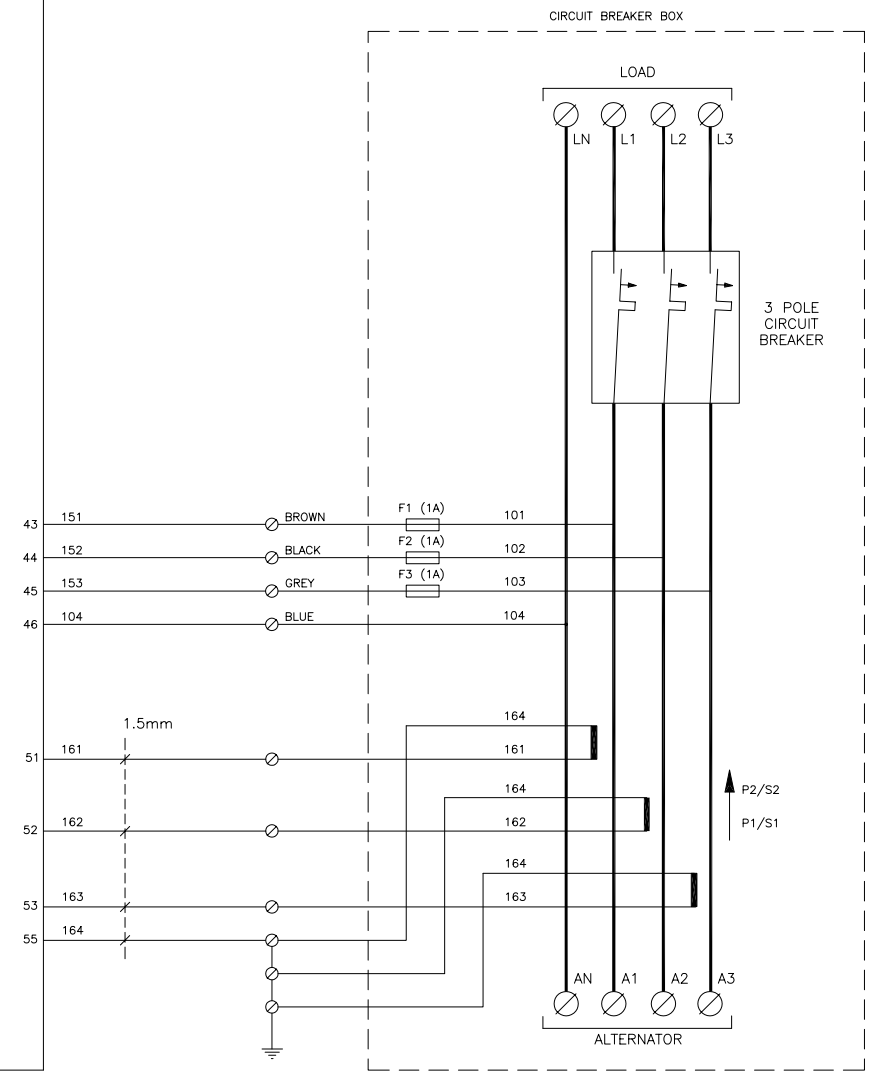
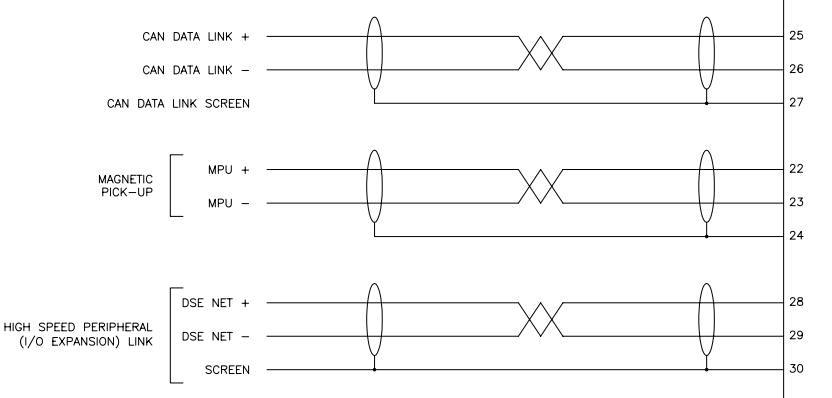
NOTES:

USE CANBUS APPROVED 120R APPROVED CABLE.

A DIRECT CONNECTION BETWEEN THE 7xx0 AND THE ECU IS RECOMMENDED.

THE 7xx0 IS INTERNALLY FITTED WITH A TERMINATION RESISTOR. IT MAY BE NECESSARY TO FIT A TERMINATION RESISTOR AT THE ECU (CONSULT ENGINE MANUFACTURER).

ENABLING THE CANBUS OPTION WILL DISABLE THE OIL PRESSURE AND COOLANT TEMPERATURE SENDER INPUTS (THEREFORE SENDERS ARE NOT REQUIRED).



Welland Engineering

Designed by: RKW

Checked by: AGS

Approved by: RKW - 14/08/08

Drawn by: RKW

Filename: WEL7xxxA2.DWG

Date: 14/08/08

Scale: N/A

3PH DSE 72x0 / 73x0

Edition: 2

Sheet: 1/1