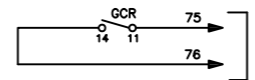
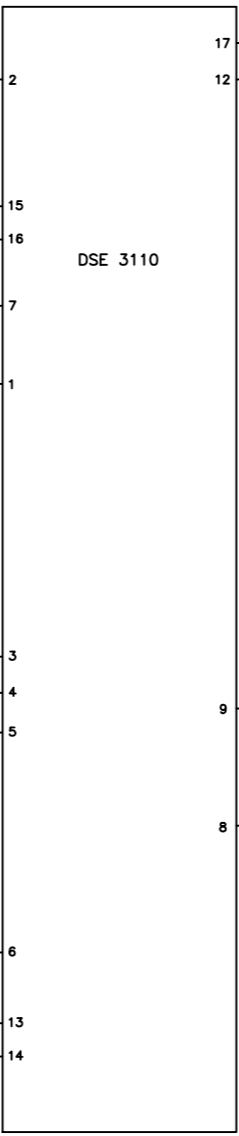
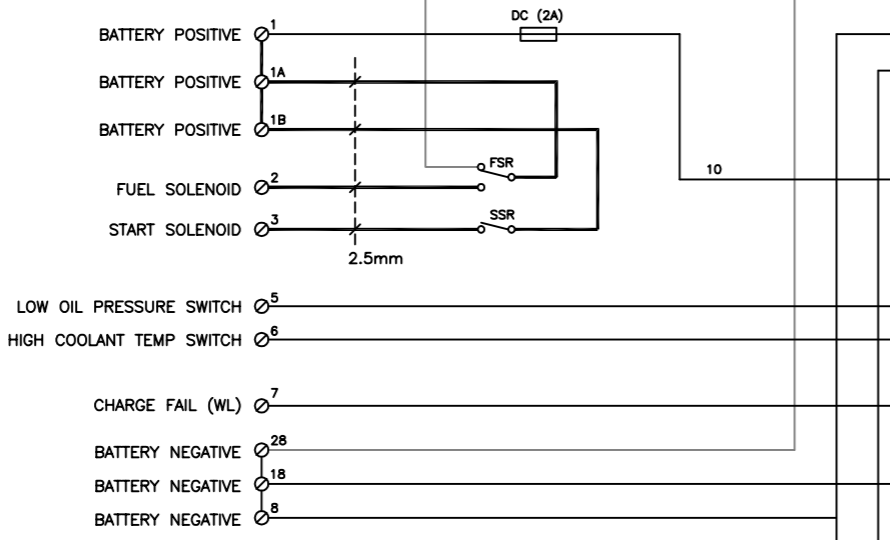
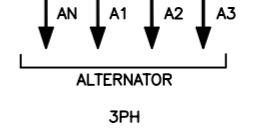
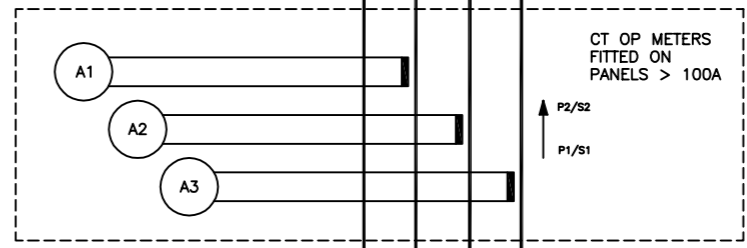
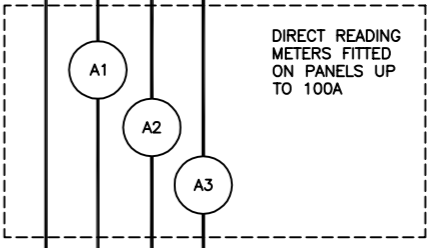
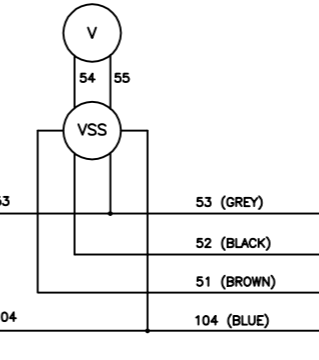
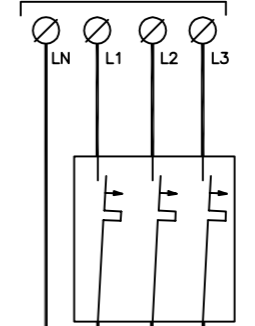


OPTIONAL BATTERY CHARGER
DSE9150 (12V 2A)

MAINS SUPPLY 230VAC.
CONNECT DIRECT TO
BATTERY CHARGER.
FUSE AT SOURCE.
IF INTERCONNECTING TO
STANDARD ATS PANEL
(230V L-N), TERMINALS
211/204 CAN BE USED.



LOAD
(CONNECTION TO TOP OF CB)



CONNECTIONS DIRECT TO 3110

CONFIGURABLE OUTPUT 4 (+VE) 44
CONFIGURABLE INPUT 2 (-VE) 32
CONFIGURABLE INPUT 3 (-VE) 33

Designed by RKW	Checked by AGS	Approved by - date RKW - 18/08/09	Filename WEL3110EcoA2.DWG	Date 18/08/09	Scale N/A
Welland Engineering			DSE 3110 Economy OM		
			WEL3110EcoA		Edition 2